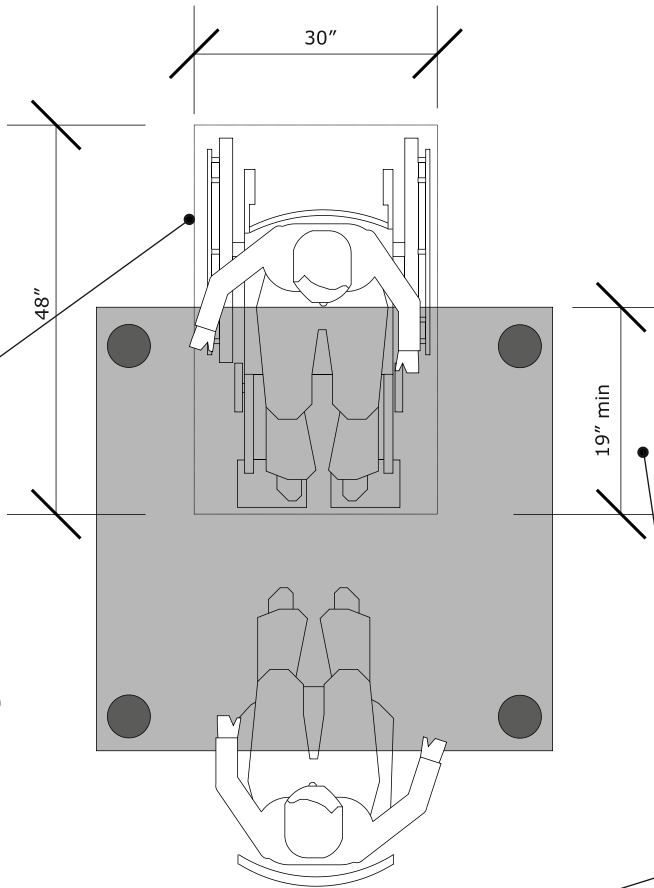


TABLES

Clear Path To and Between Tables

1104B.5
 -36" min. clear width between tables, seats and other obstacles, **even with patrons seated at tables**

Four Corners Table Base



Clear Floor Space at Table

1122B.2
 -30"x 48" min. clear floor space at table, may overlap the knee clearance under the table by 19"

Required Accessible Tables

1104B.5, 1122B.1, 226
 -**At least** 5% (but never less than 1) of tables, seating, counters, and/or dining surfaces must be accessible
 -Where there is more than 1 accessible space, these spaces must be dispersed throughout the area or facility where dining surfaces are provided
 -Where there are multiple functional areas (i.e. bar and dining room), there must be at least 1 accessible space for each area

Note:
 -It is important to be able to arrange non-fixed tables to accommodate larger groups with people with disabilities in their party

Knee Space

1122B.3, 902
 -27" min. from finished floor to underside of table (**BEST PRACTICE:** 29" preferred)
 -30" min. clear width under table
 -19" min. clear depth under table (may overlap the 30"x48" clear floor space required at table for wheelchair)

Center Post Table Base

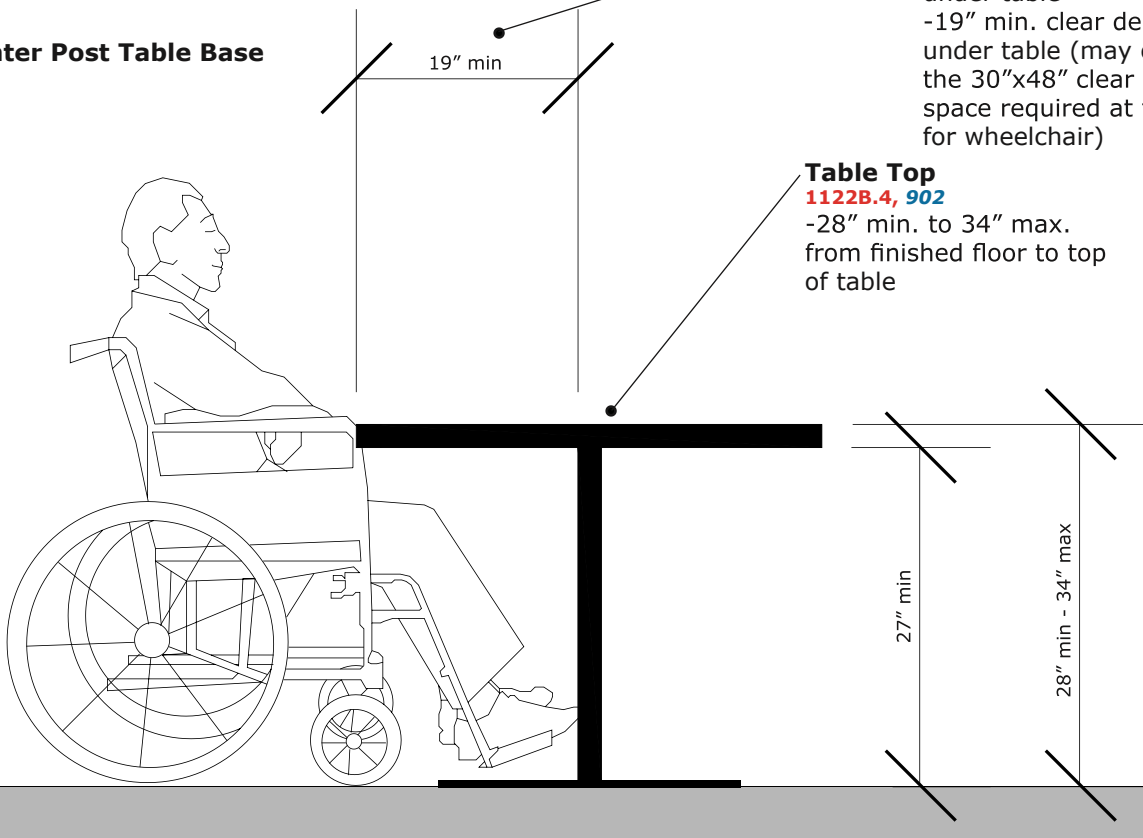


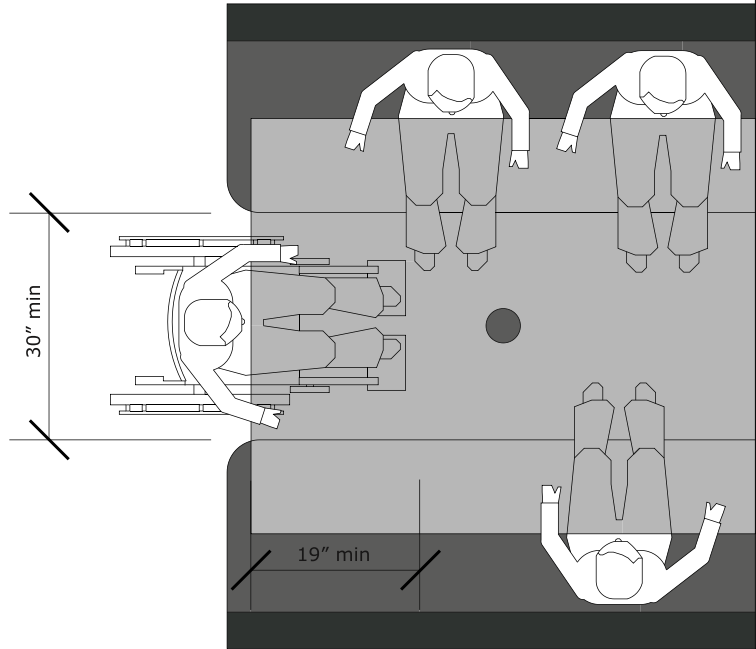
Table Top

1122B.4, 902
 -28" min. to 34" max. from finished floor to top of table

BANQUETTE SEATING

Note:
-It is important to be able to arrange non-fixed tables to accommodate larger groups with people with disabilities in their party

Booth Seating with Center Post Table Base



Clear Floor Space at Table

1122B.2

-30"x 48" min. clear floor space at table, may overlap the knee clearance under the table by 19"

Sled (or T) Table Base

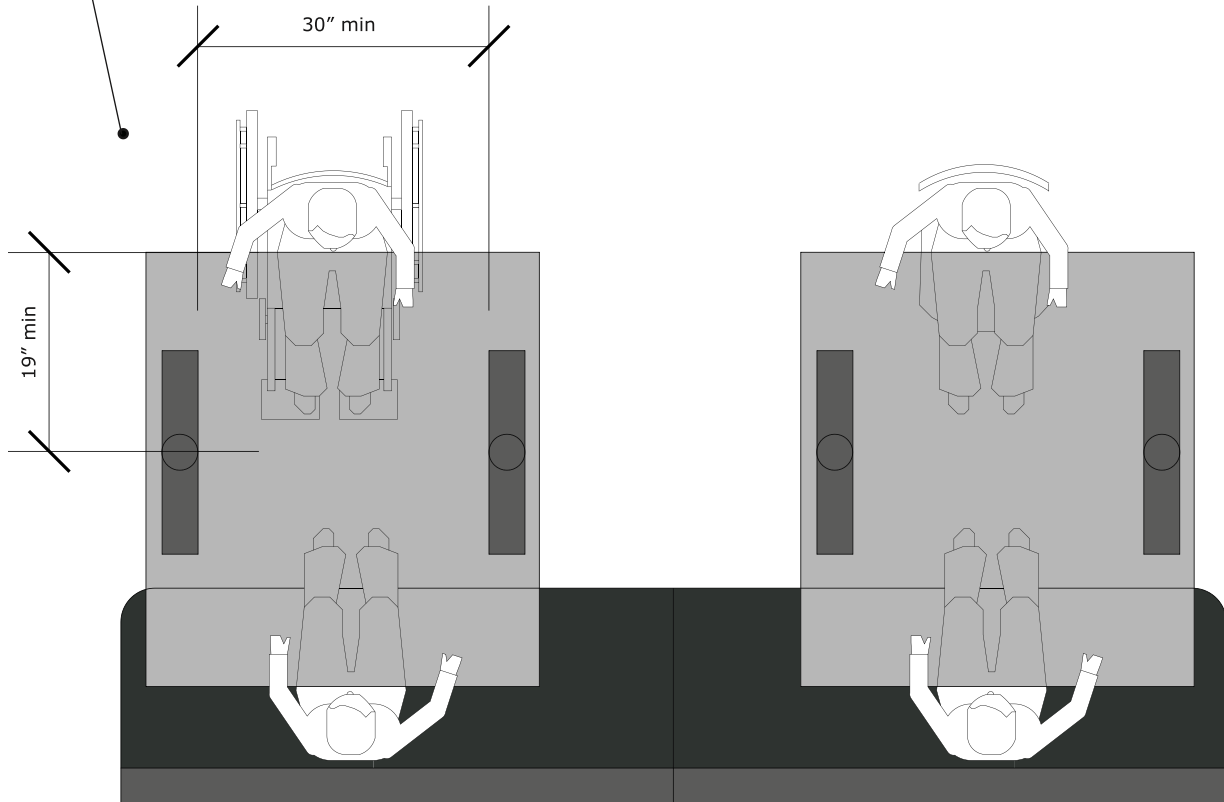
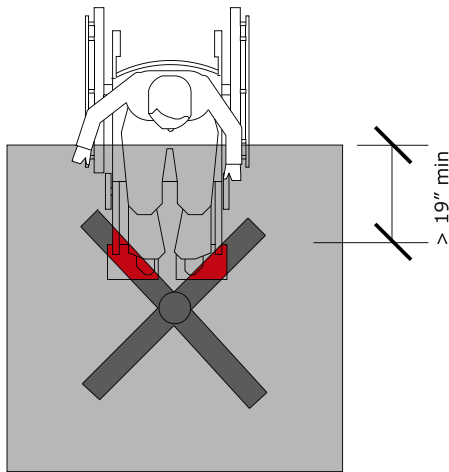
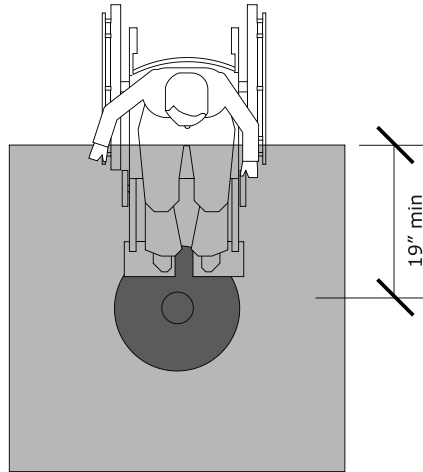


TABLE BASES

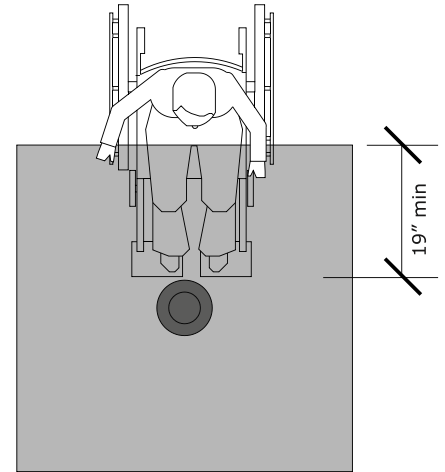
Non-Accessible X Base



Center Post Table Base



Bolt-Down Center Post Table Base



Knee Space

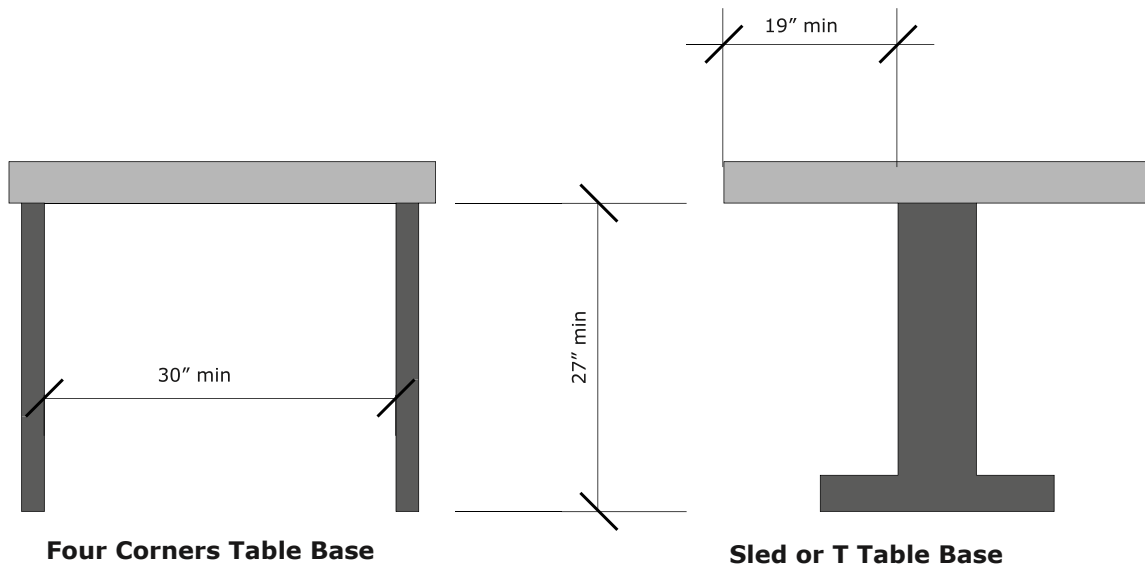
1122B.3, 902

-27" min. from finished floor to underside of table (**BEST**

PRACTICE: 29" preferred)

-30" min. clear width under table

-19" min. clear depth under table (may overlap the 30"x48" clear floor space required at table for wheelchair)



General/**BEST PRACTICE**

1122B.3, 902

-The following are considered **ACCESSIBLE** bases:

-Legs in the 4 corners with at least 30" min. between them

-Sled or T base on two sides of the table with 30" min. between them

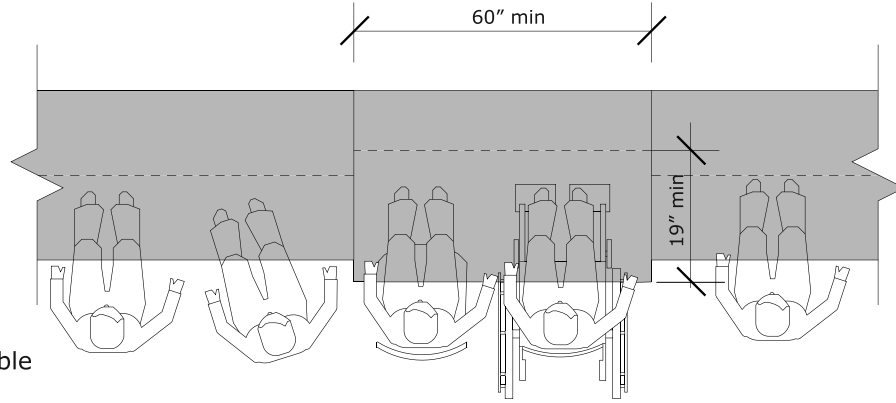
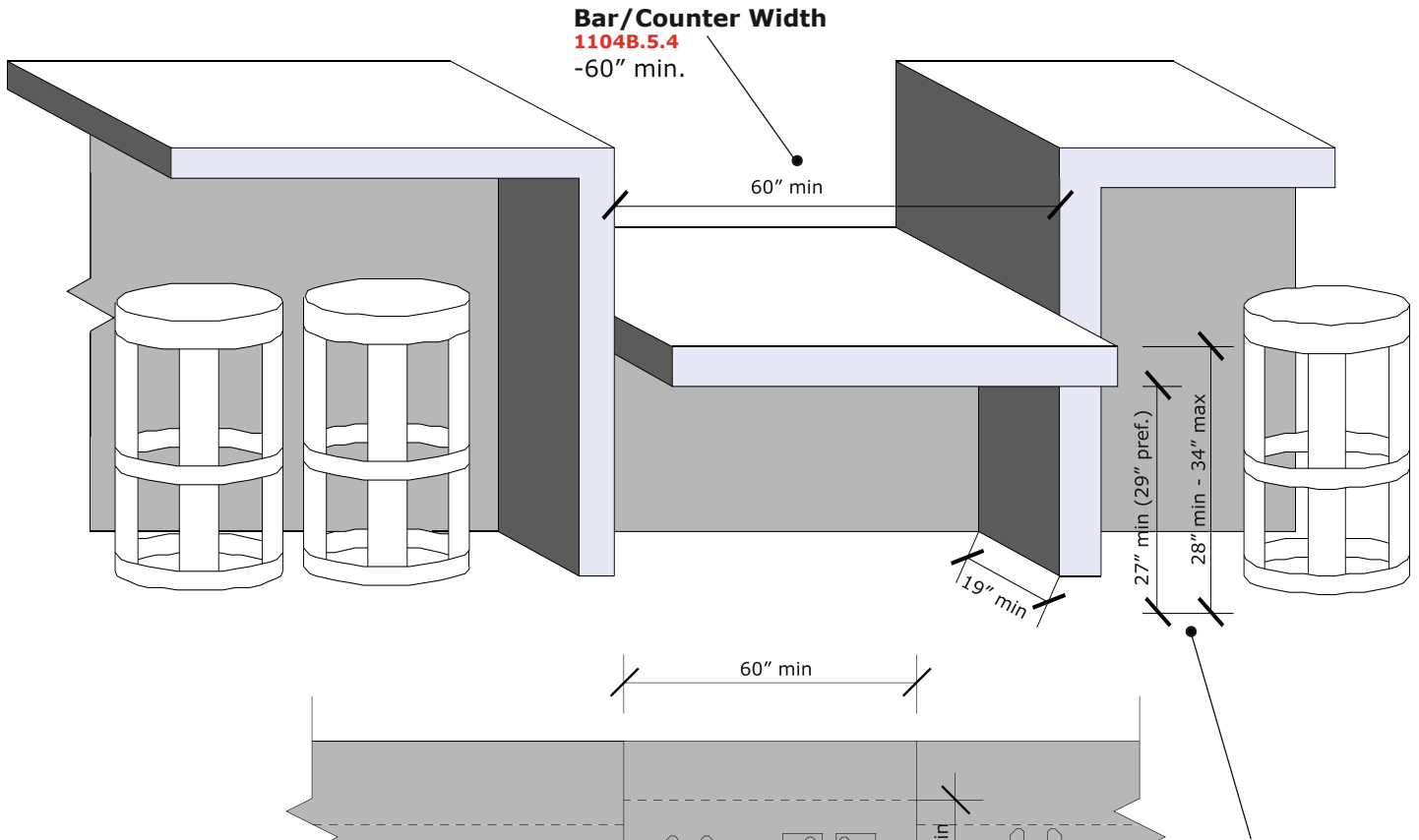
-Center post with bolt-down base, at least 19" from edge of table

-Center post with flat base of 1/2" thick max. with 1/4" bevel, if flat base extends into the required 19" clear space from edge of table

-Do NOT use X-shaped table base, as it interferes with the 19" min. clear space from edge of table and may cause wheelchair footrests to become stuck (shown in red above)

-Do NOT use center post with thick or sloped bases that extend into the required 19" min. clear space from the edge of the table, as this will prevent a person using a wheelchair from being able to sit comfortably at the table, or may cause their wheelchair to tip back

BAR/COUNTER SEATING



Knee Space
1122B.2, 306.3

- 27" min. from finished floor to underside of table (29" preferred)
- 30" min. clear width under table
- 19" min. clear depth under table (may overlap the 30"x48" clear floor space required at table for wheelchair)

Bar/Counter Top
1122B.4, 902.4.2

- 28" min. to 34" max. from finished floor to top of bar/counter
- Must extend full depth of bar/counter
- Do NOT use as service area

Required Accessible Tables

1104B.5, 1122B.1, 226

- At least** 5% (but never less than 1) of tables, seating, counters, and/or dining surfaces must be accessible
- Where there is more than 1 accessible space, these spaces must be dispersed throughout the area or facility where dining surfaces are provided
- Where there are multiple functional areas (i.e. bar and dining room), there must be at least 1 accessible space for each area
- A drop-down hinged counter surface does not count as an accessible space, counter must be same height from customer side to employee side

